

AVA  
**QUAD**

Mounting guide





## Important warnings

- ✗ **Avoid** exposing the camera to shocks, high pressure or temperatures above 60°C.
- ✗ **Avoid** placing the camera near fans, ventilation or other noise sources. This will degrade audio performance.
- ✗ **Avoid** scratching or leaving fingerprints on the lens cover, this degrades image quality. If possible, keep the protective plastic on the dome cover during installation.
- ✗ **Do not** clean the camera with harsh detergents, gasoline or chemicals such as acetone.
- ✗ **Do not** try to repair the unit yourself. Refer all servicing of the camera to Ava or contact a reseller.
- ✗ **Do not** install the camera during rain, mist or other conditions of high humidity. Water may be trapped inside, causing damage or condensation issues.



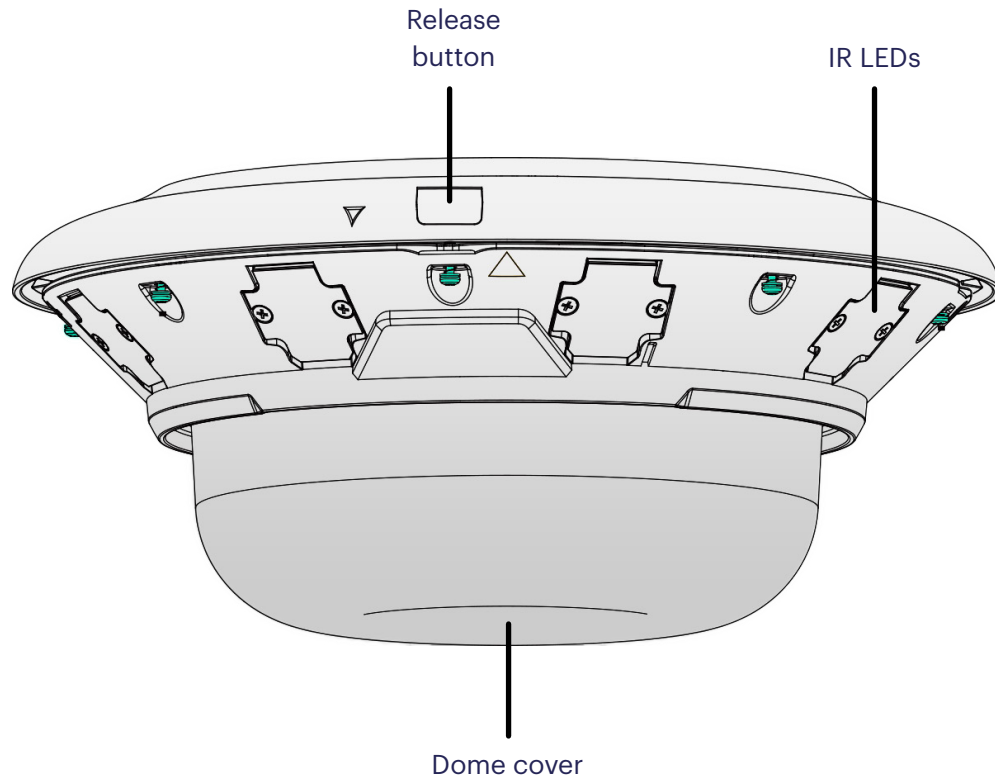
## Safety instructions

- ! Disconnect power from the unit when performing a maintenance task.
- ! The power supply should bear the UL listed and LPS marks.
- ! Requires PoE+ power connection to operate with IR.
- ! This product should be supplied by a Power over Ethernet Power Sourcing Equipment (PSE) compliant to IEEE 802.3at Type 2 (PoE+).
- ! The camera should be connected only to PoE networks without routing to the outside plant. The PoE PSE must be properly grounded.
- ! Please contact AVA's certified dealers (or distributor) for power adapters.
- ! For the grounding wire use a green/yellow wire (min. 18AWG), a knurled washer and min. 3.5mm screw.

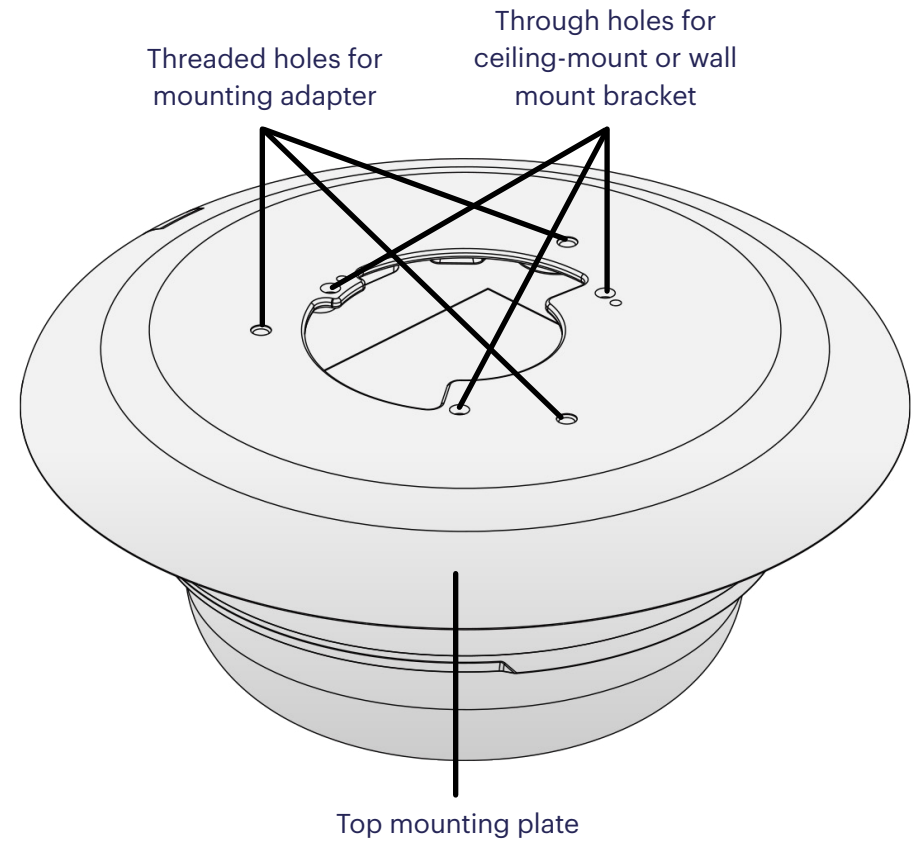
# Overview



## Outer view



## Top view



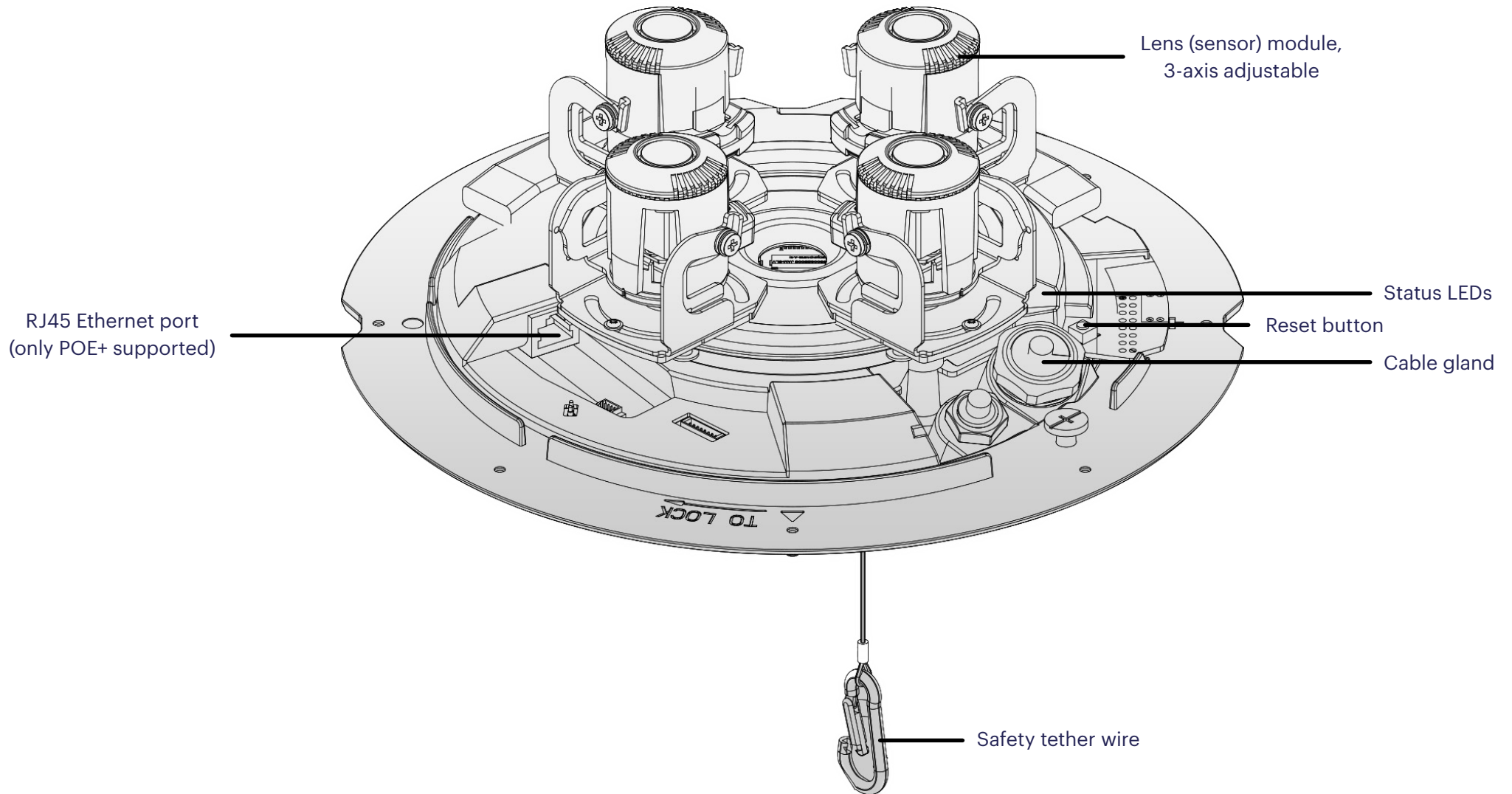
**Package contains:**

- Quad camera
- IR light cover
- Alignment sticker
- Screws and anchors
- T10 security L-key

# Overview



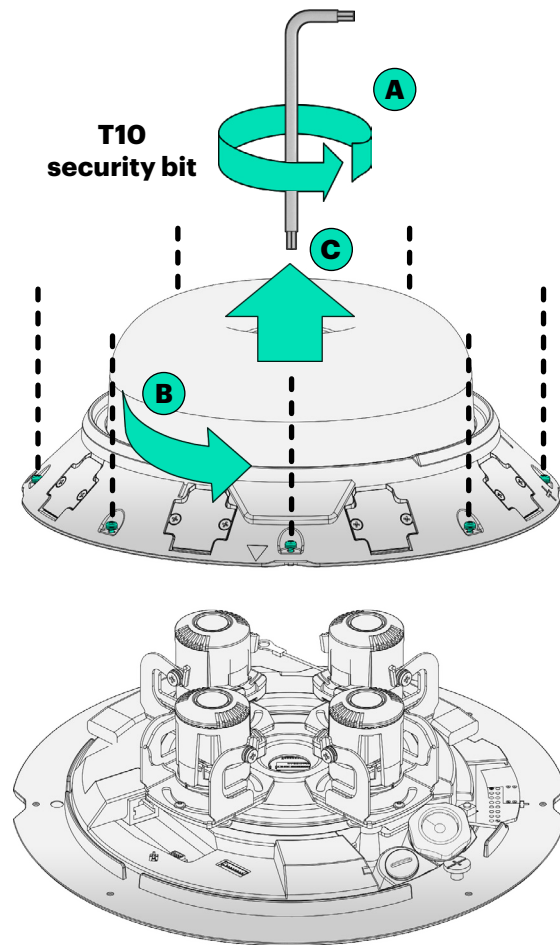
## Inner view



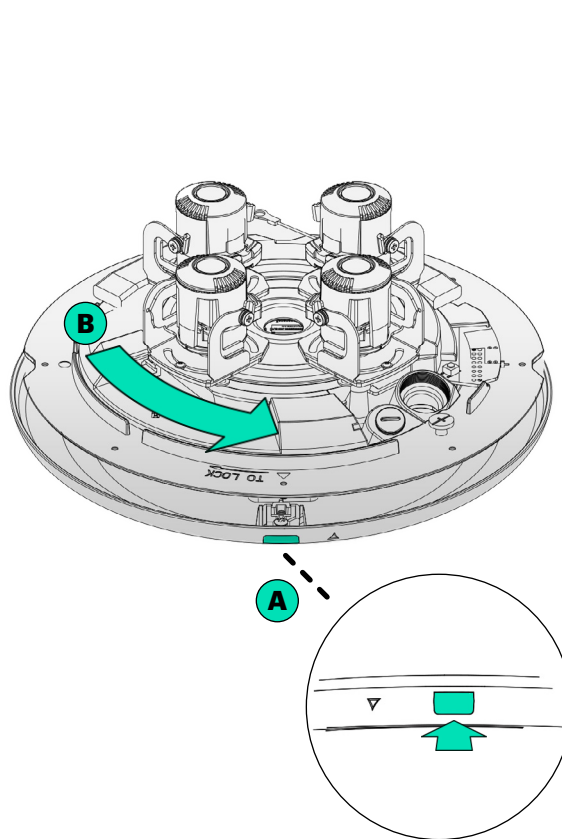
# Preparing to mount the camera

For all install options

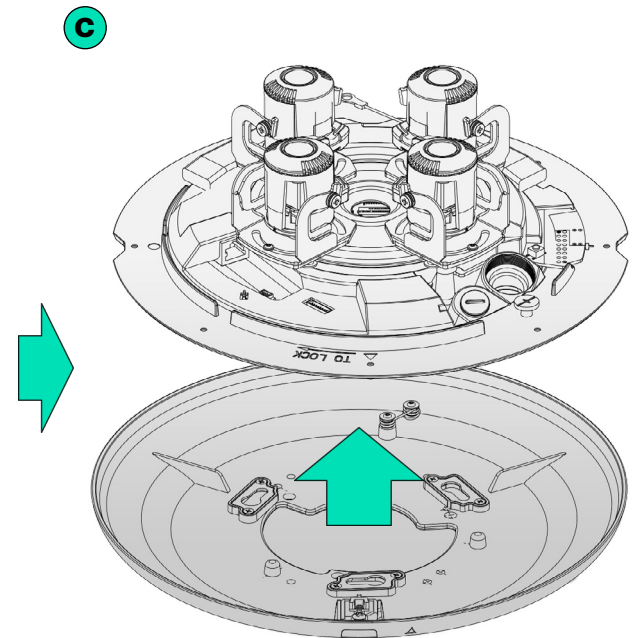
1



2

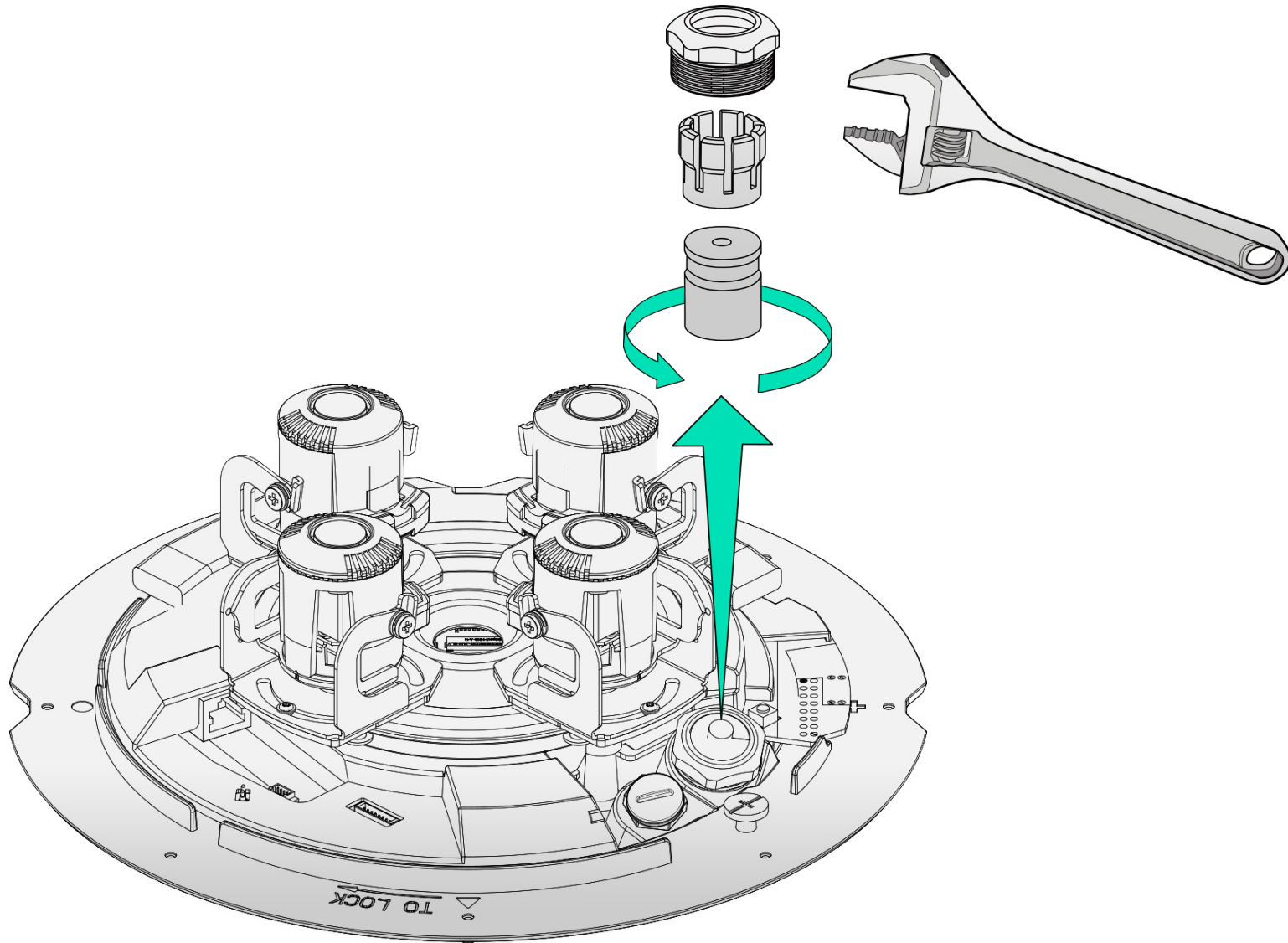


3



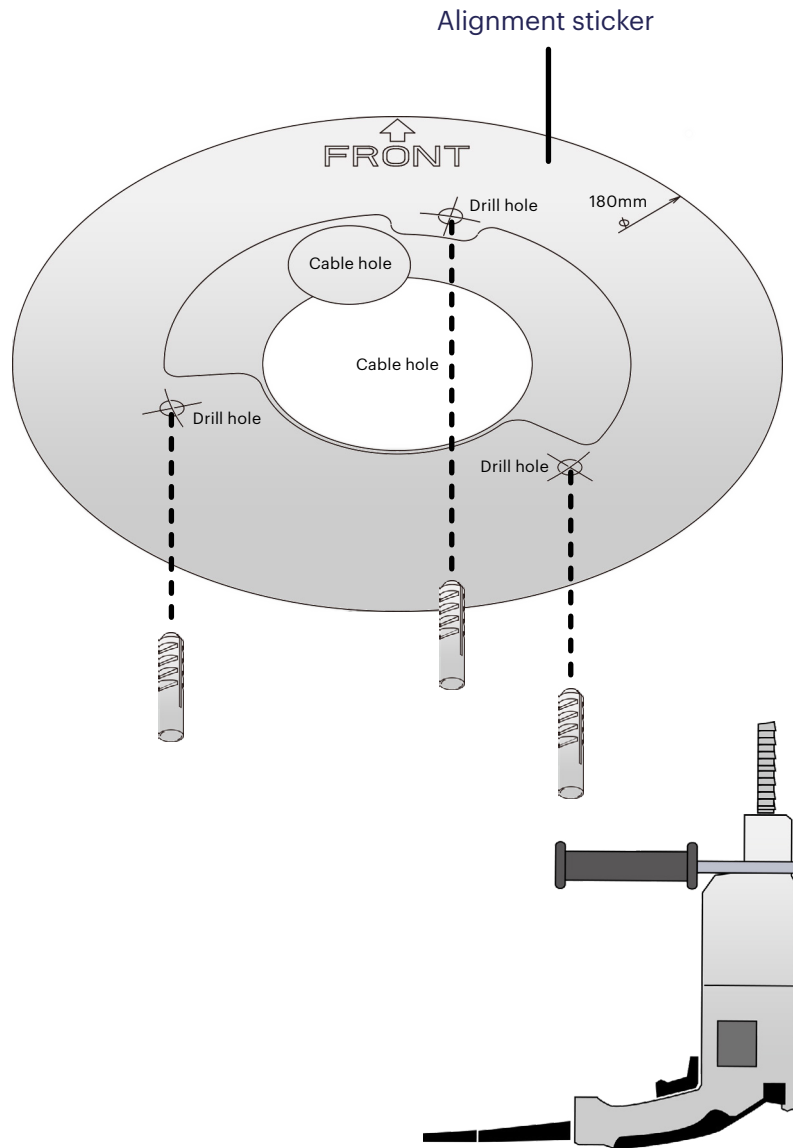
# Preparing to mount the camera

4

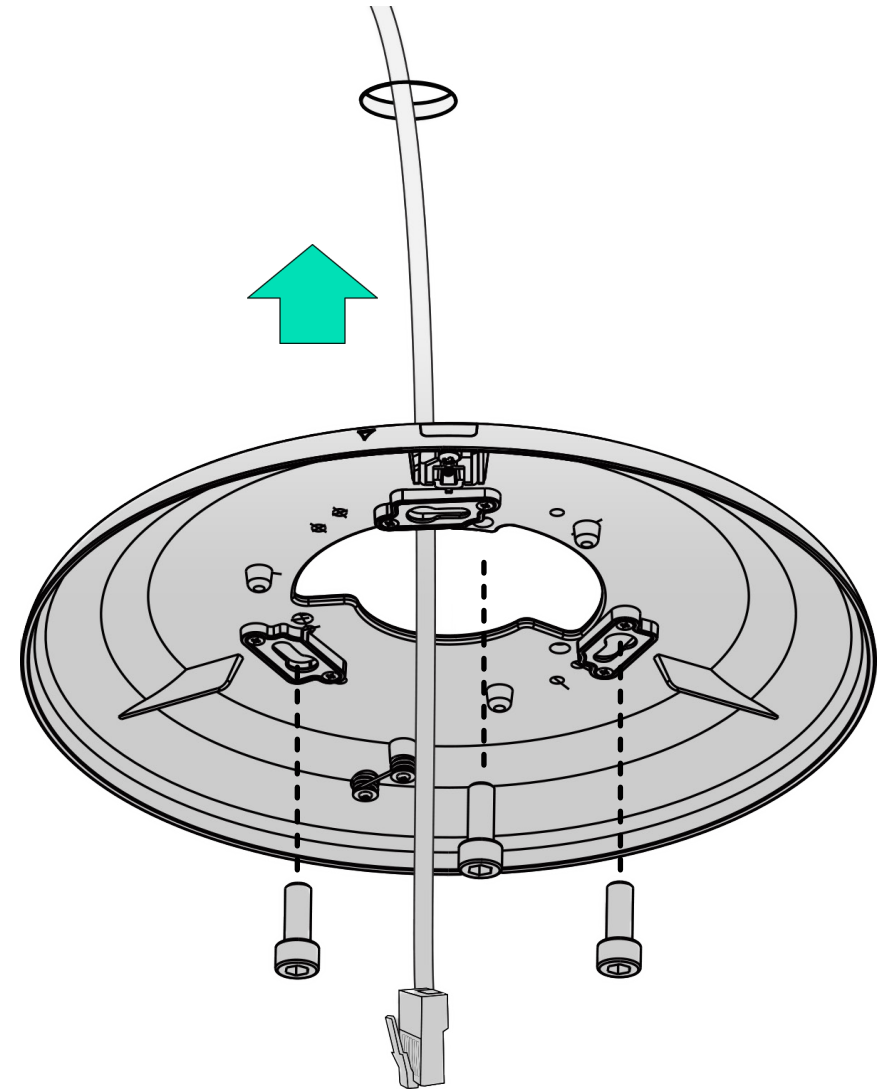


# Option A - Using the ceiling mount

A1



A2

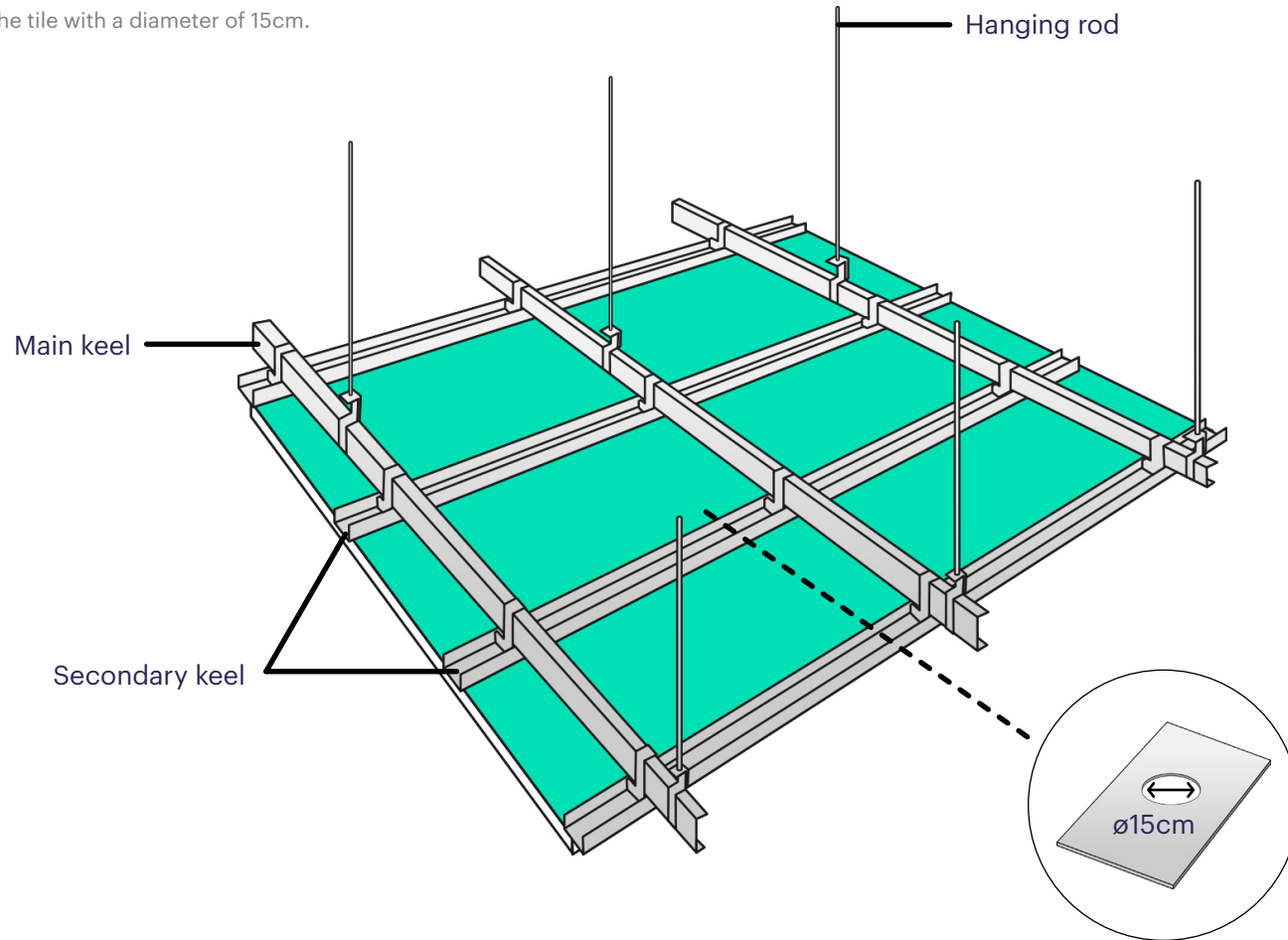




## Option B - Using the in-ceiling mount

### B1

Cut a hole in the center of the tile with a diameter of 15cm.



If needed, add hanging rods to strengthen the ceiling structure.

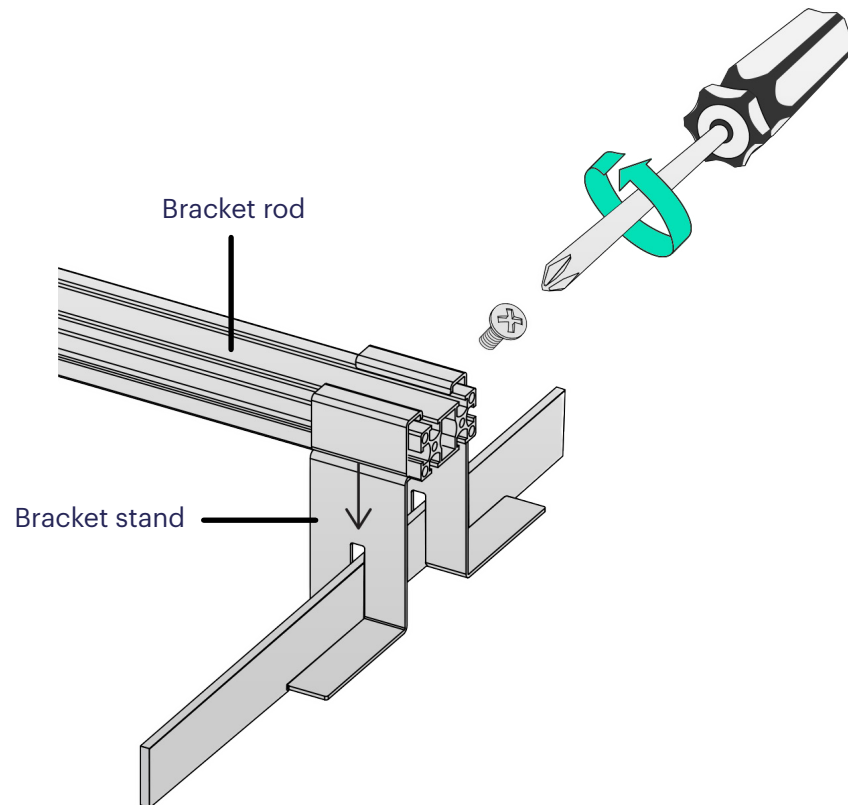
Weight of camera: 2.7 Kg

Weight of Recessed kit: 1.1 Kg

## Option B - Using the in-ceiling mount

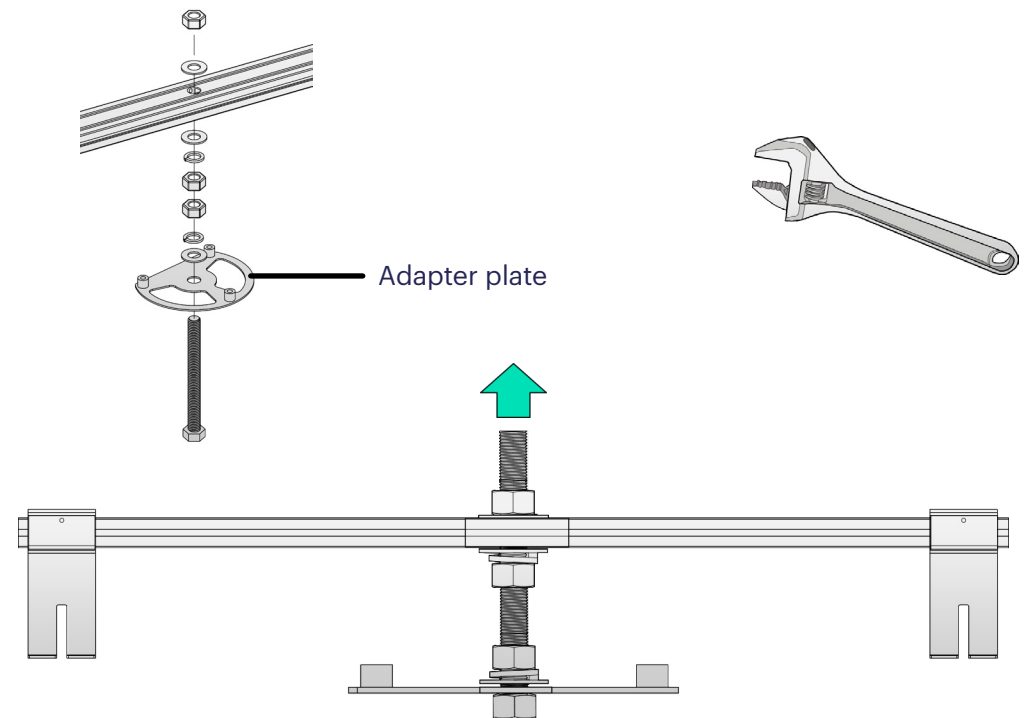
### B2

Assemble the bracket stand to the bracket rod, adjust the width so the stands are resting on the secondary keels. Secure the position by the two flathead screws.



### B3

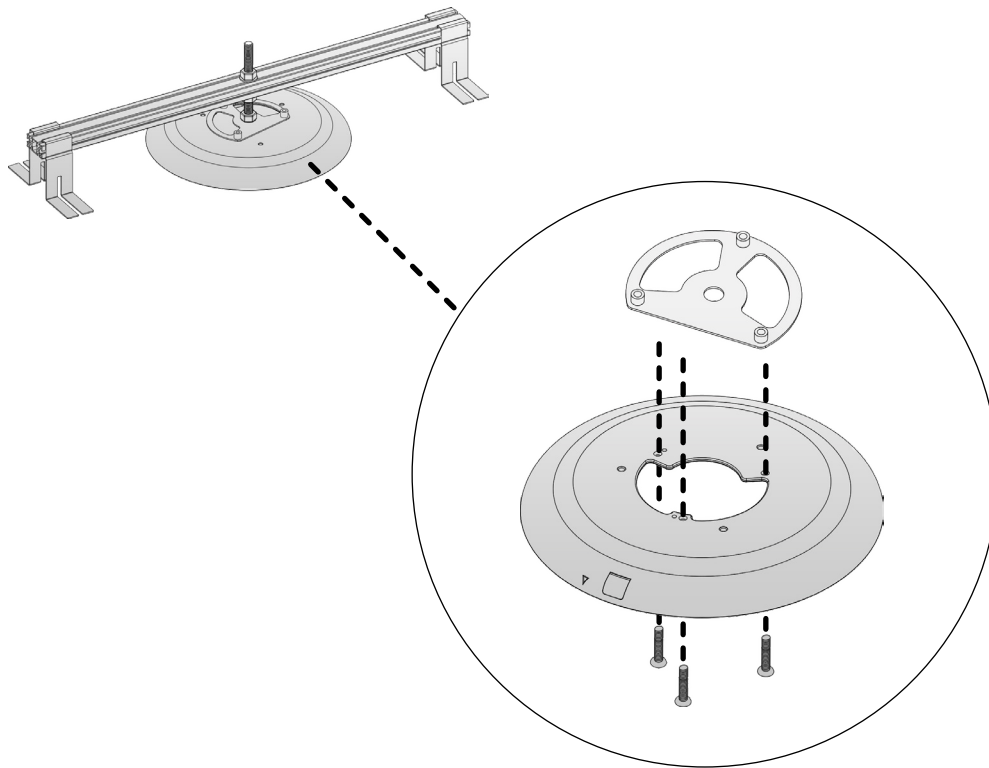
Remove the assembly from the ceiling and assemble the adapter plate to the bracket rod. Use nuts, washers and lock washers as shown, tighten the nut towards the adapter plate and make sure the two nuts close to the bracket rod are loose.



## Option B - Using the in-ceiling mount

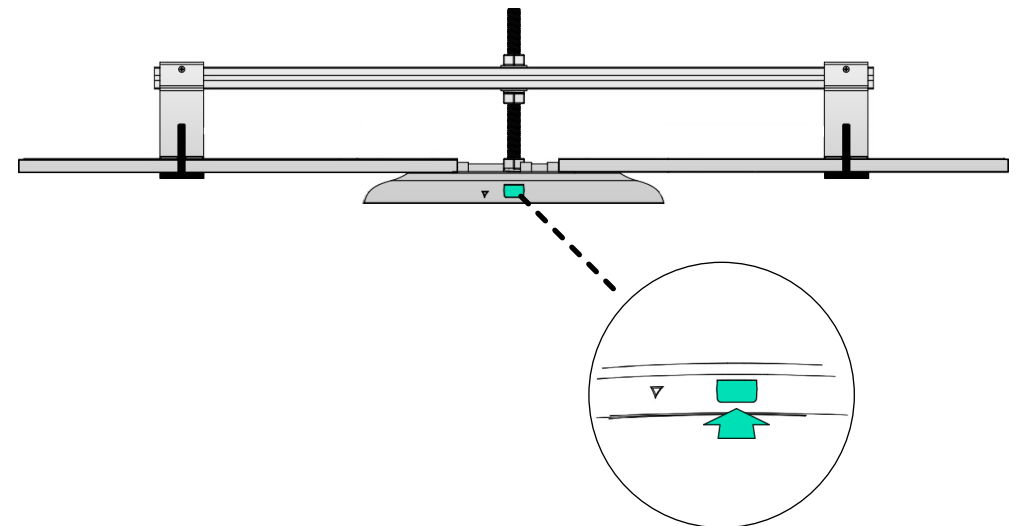
### B4

Put the bracket assembly in the correct position in the ceiling and install the tile. Assemble the camera top mounting plate to the adapter plate, adjust the position so the camera will be flush to the ceiling and the release button can be pressed.



### B5

Fasten the remaining two nuts to secure position of the rod.

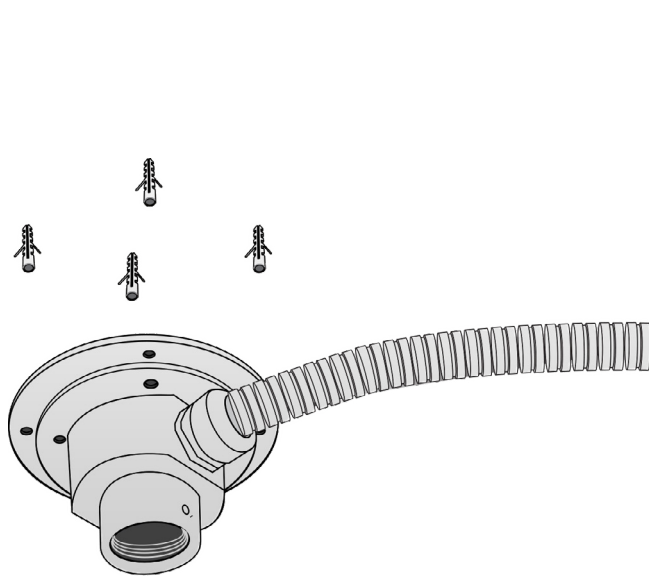


**Required:**  
ACQ-REC-KIT Recessed kit

## Option C - Using the pendant mount

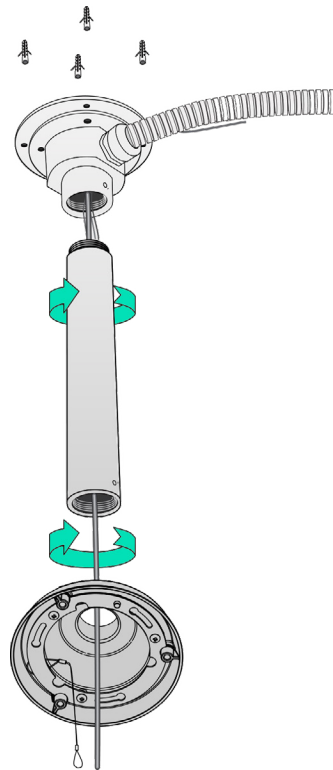
### C1

Use the alignment sticker and drill four holes. Fit the pendant head and mount it with the screws.



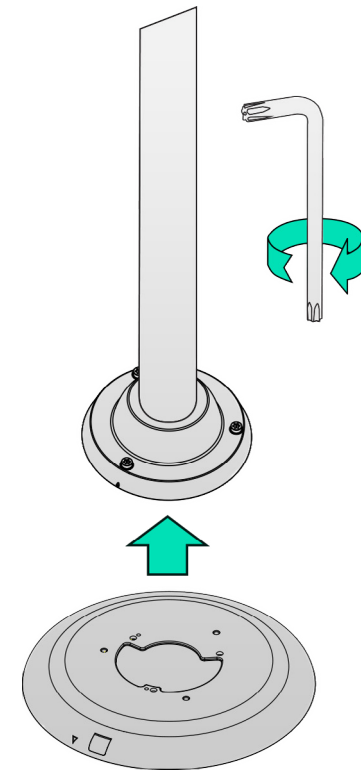
### C2

Install the pendant pipe and secure with the upper hex screw, install the mounting adapter and secure it with the lower hex screw.



### C3

Install the top mounting plate. Note the front indicators indicate the default front side of the camera. Install the mounting plate with the orientation you prefer.



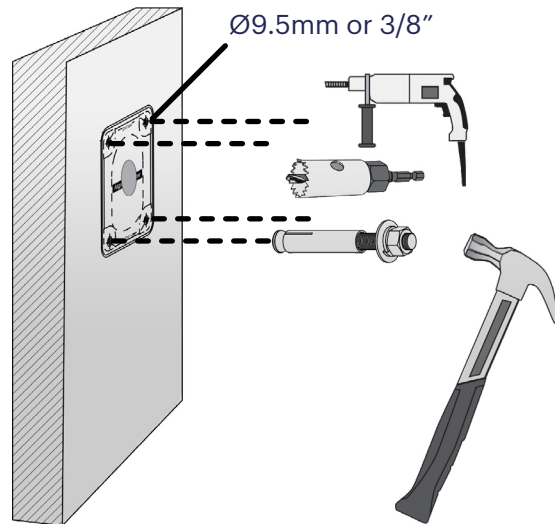
#### Required:

- ACQ-PEN-HEA Pendant head
- ACQ-PEN-PIP Pendant pipe 40cm
- ACQ-MNT-ADA Mounting adapter

## Option D - Using the wall mount

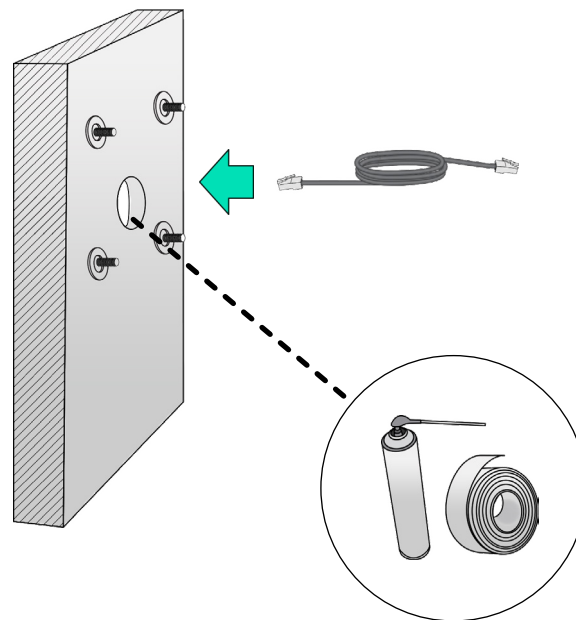
### D1

Attach the alignment sticker to the wall. Drill 4 holes for screws and 1 hole for routing cable.



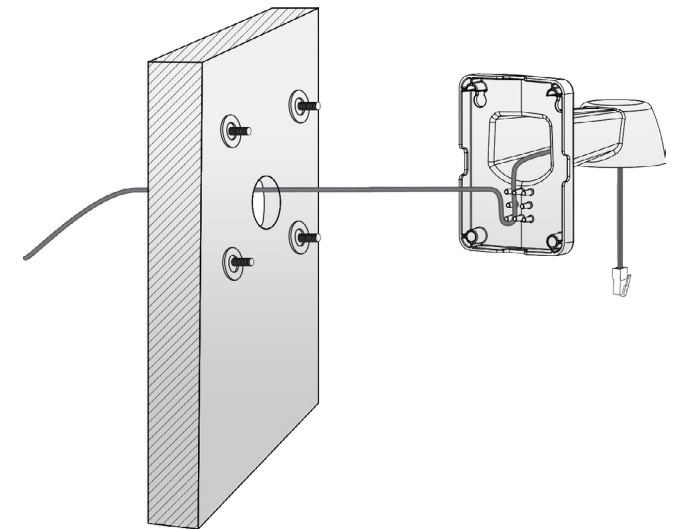
### D2

Leave one washer on each threaded pole. Connect the Ethernet cable and use foam tapes or seal foam to ensure the back-end connection is waterproof.



### D3

Route the cable along the routing guide poles to form drip loop.

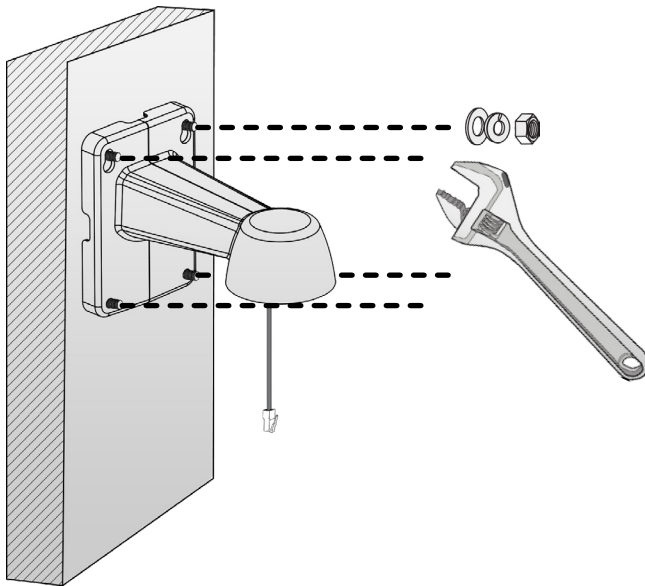


**Required:**  
ACQ-WAL-MNT Wall mount bracket

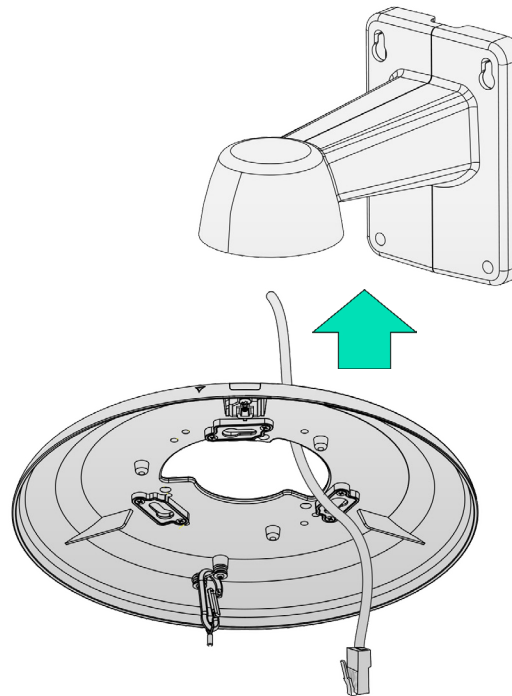
## Option D - Using the wall mount

### D4

Fasten bracket using nuts, washers and lock washers.

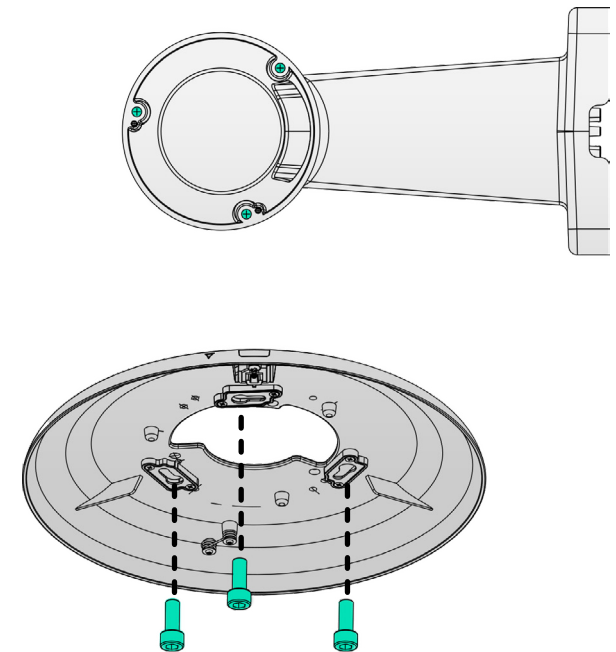


### D5



### D6

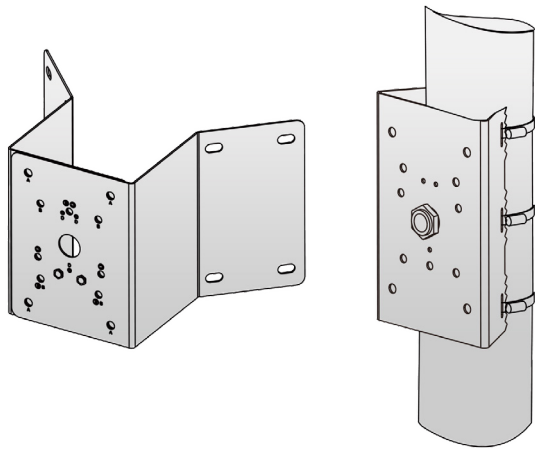
Secure the top mounting plate.



## Option E - Using the pole or corner mount

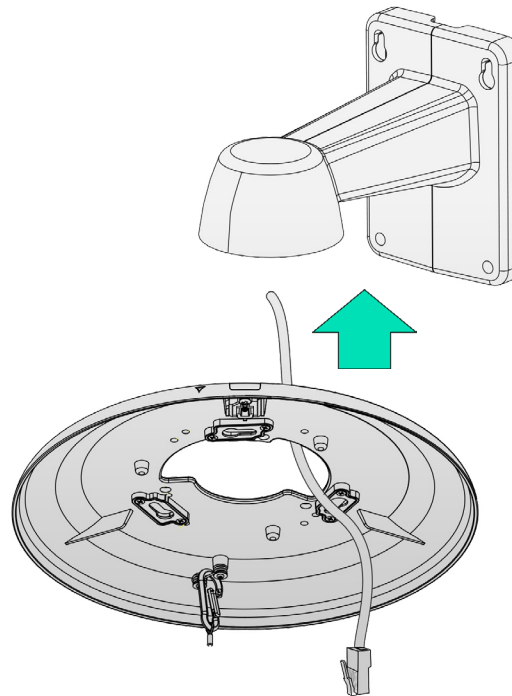
### E1

Install the pole bracket to the pole wrapping the metal bands around the pole. Or install the corner bracket to the corner using correct type of screws.



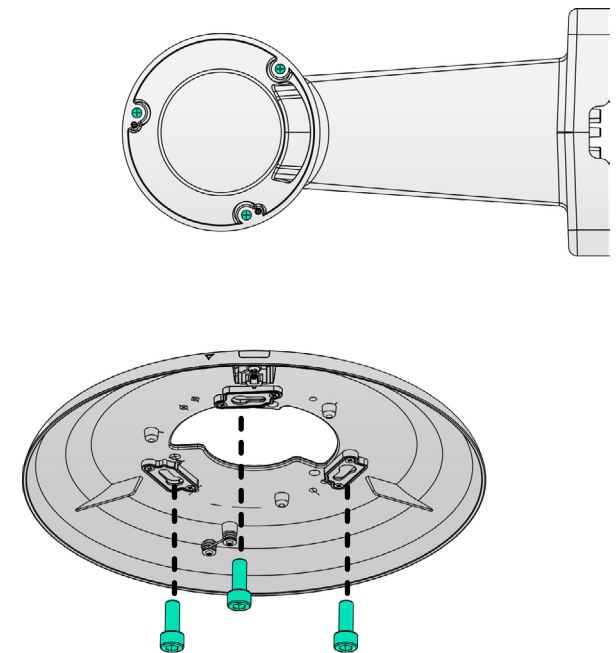
### E2

Install the wall mount bracket to the pole or corner bracket as described on the previous page. Align the top mounting plate with the center of the wall mount bracket.



### E3

Secure the top mounting plate.

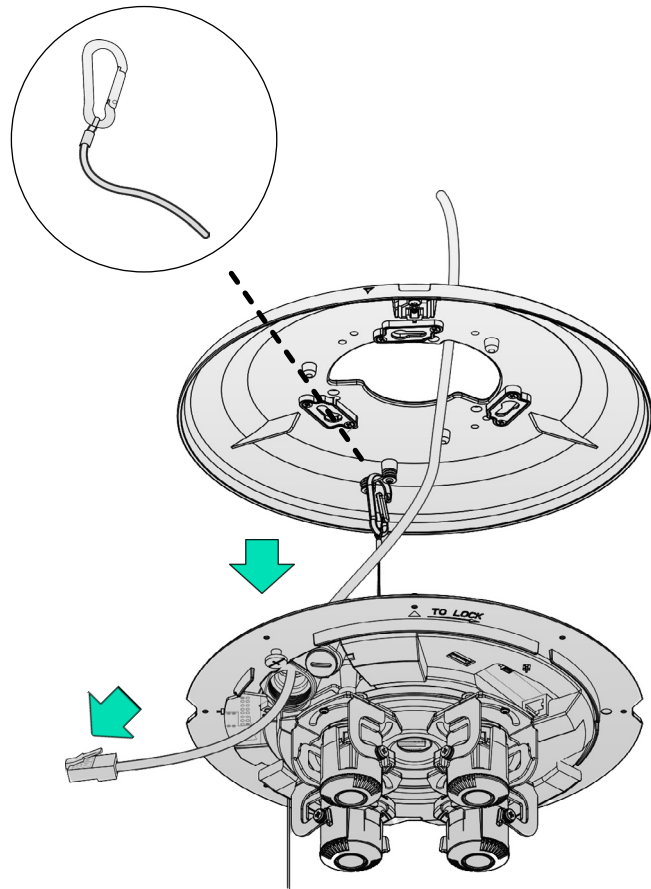


#### Required:

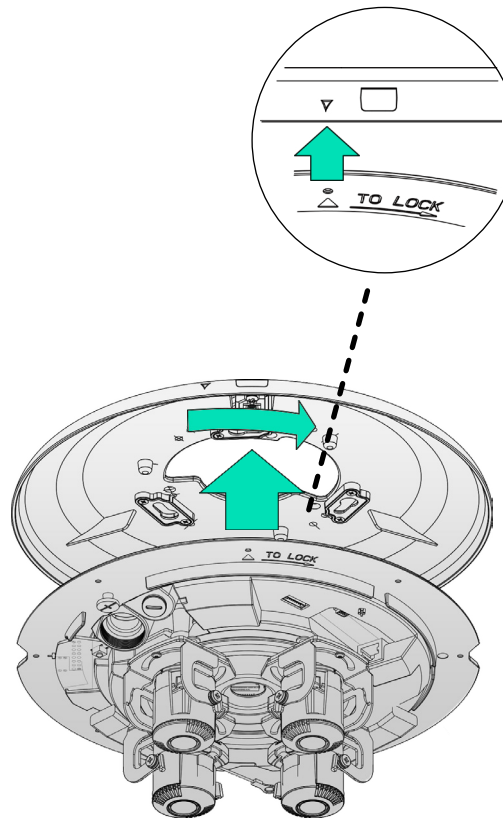
ACQ-WAL-MNT Wall mount bracket  
ACQ-POL-MNT Pole bracket or ACQ-CRN-MNT Corner bracket

# Completing the camera installation

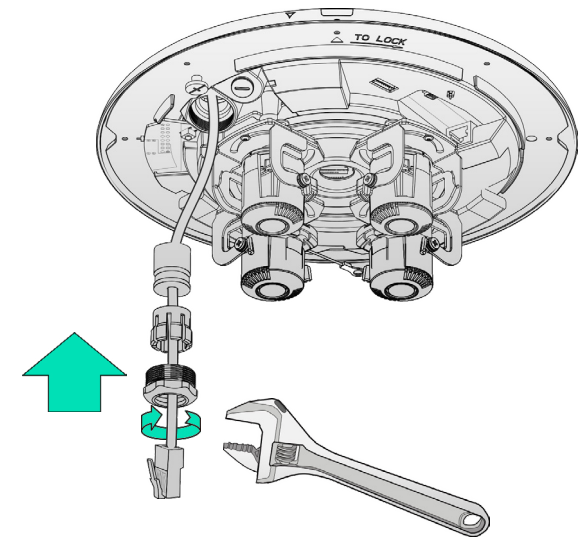
1



2



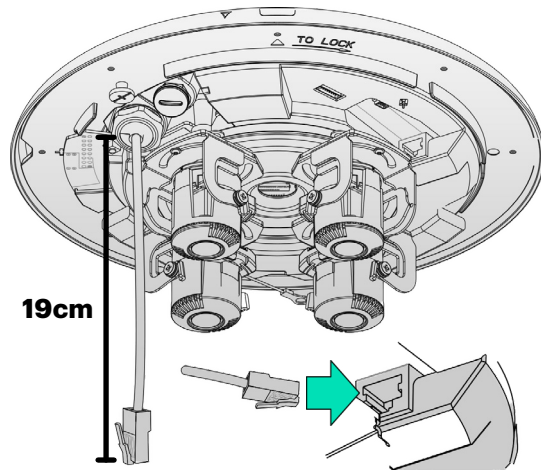
3





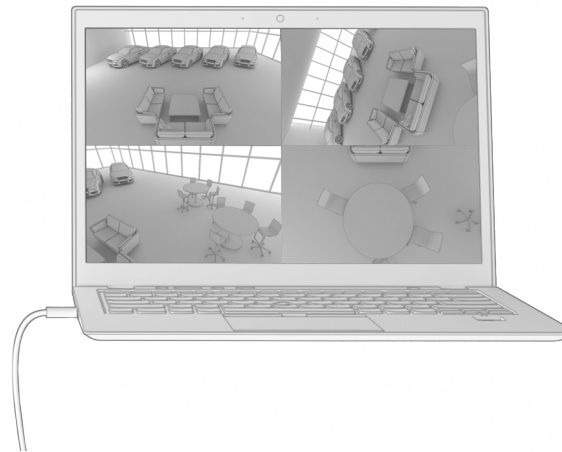
# Completing the camera installation

4

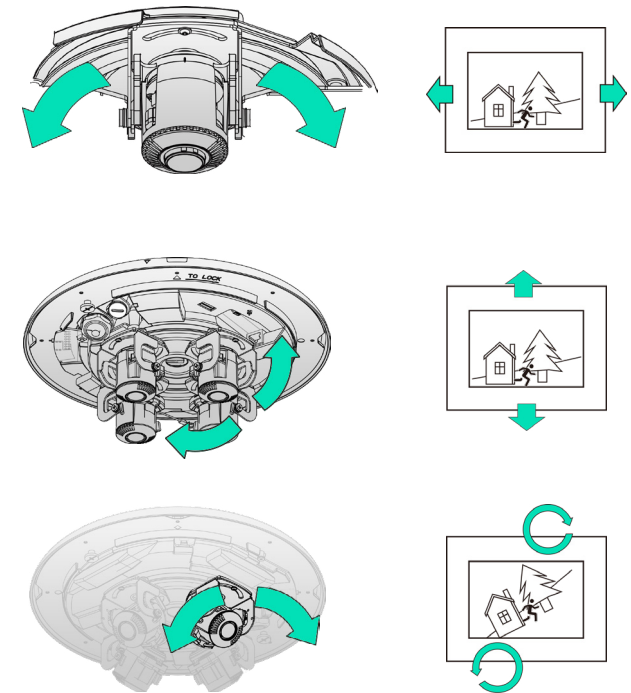


5

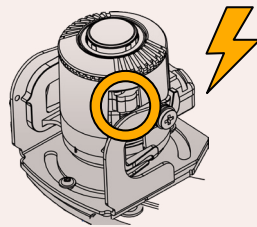
Adjust the image orientation in Ava Aware.



6

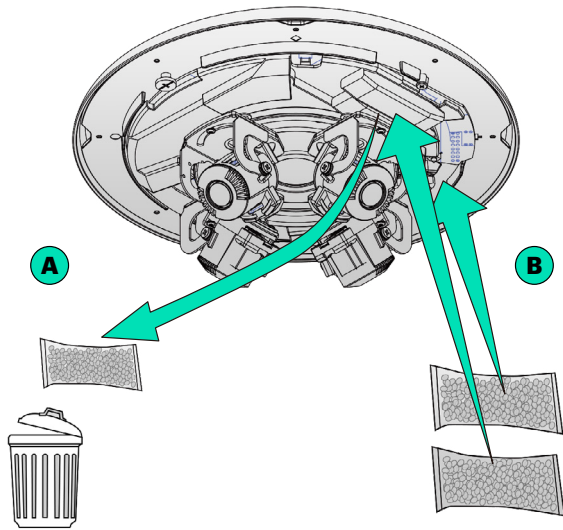


Mind the electrostatic damage by avoiding contact with exposed circuitry.

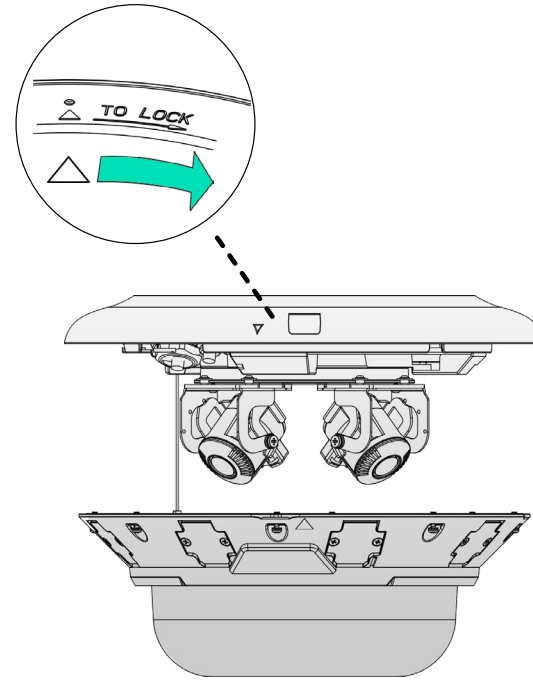


# Completing the camera installation

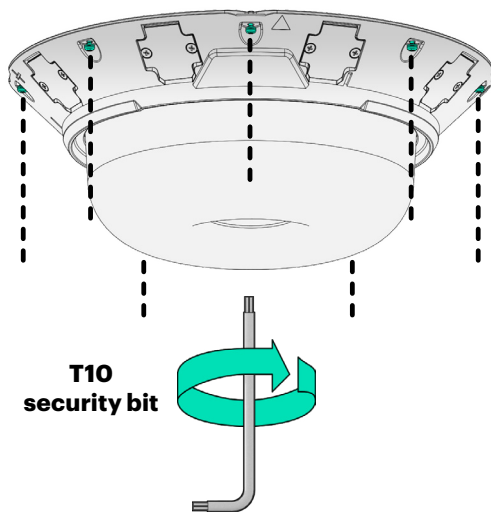
7 Replace the two desiccant bags to ensure the camera is free from moisture.



8



9



10

